

ZLP1 - Pipe test equipment for gas - and water supply pipes

Features

Basics

The pipe tester ZLP1 work with pressure drop measuring in gas- or water supply pipes, so that after a new installation of the pipes, produce a document for the tightness of there.

The pipe tester ZLP1 is package in a transportable case and consist of a measuring- and display-modul, a mechanic connection box, external pressure sensors and accessories.

Measuring modul

- microcontroller: ZILA-10
- display: LCD 2-lines, 16-characters
- keyboard: 4 keys
- power supply: 5VDC plug-in power supply

Mechanics / Sensors

- needle valve
- lock valve
- pressure sensor 1: LOW 0..250 mbar (pluggable)
- pressure sensor 2: HiGH 0..20 bar (pluggable)

Software

- measuring cycle: 1 Sec.
- display cycle: 1 Sec.
- pressure- and temperature-difference calculation
- additional function: zero-point calibration

Scope of supply

- case with measuring modul
- 2 pressure sensors
- 1 sensor cable
- plug-in power supply
- hand-pump
- connection tube
- manual
- test instruction

ZLP-1

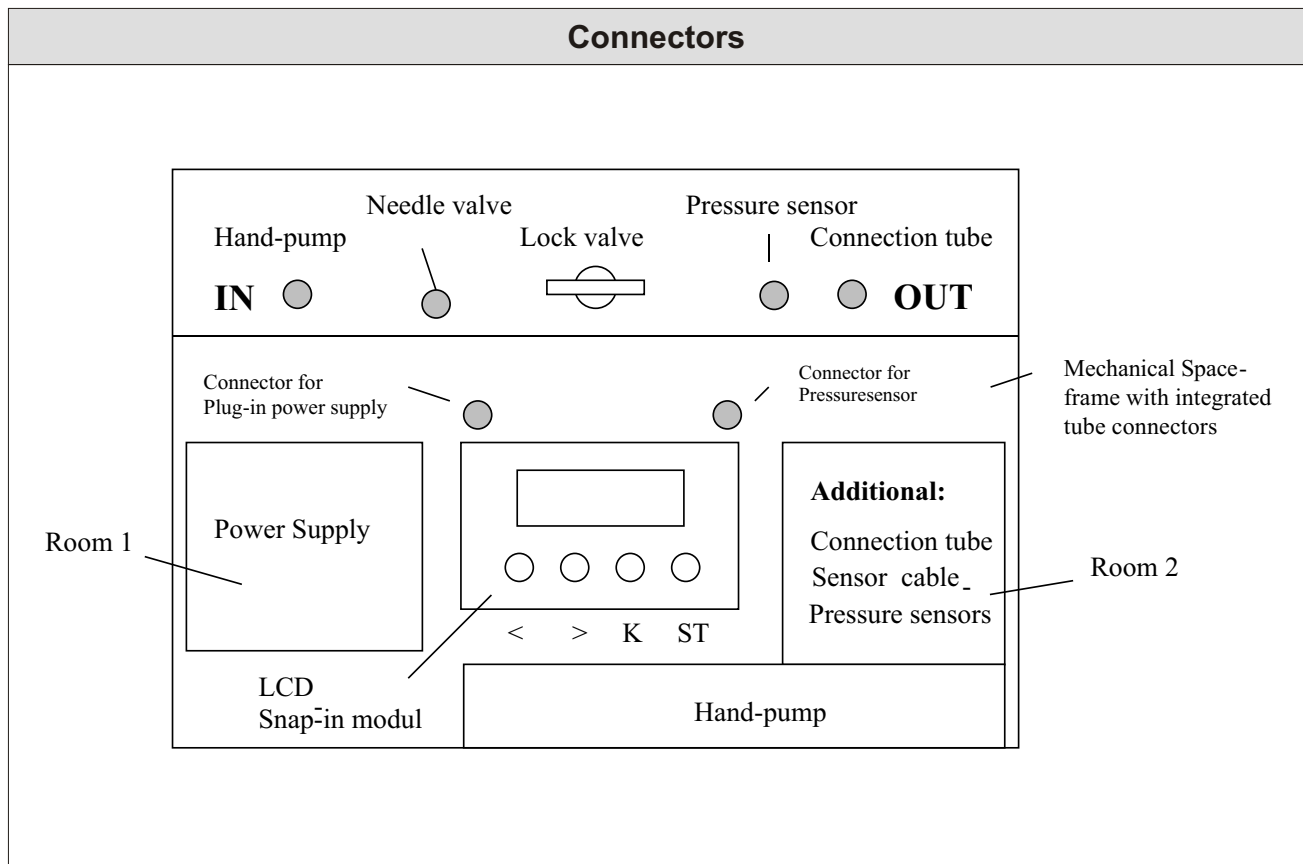


Applications

1. The measuring system ZLP-1 is suitable for endurance tests (High pressure) and tightness tests (Low pressure) of new installed gas- and water pipes.
2. In addition can excute pressure drop tests on already installed gas- and water pipes in connection with a seek of leakage.
3. Pressure drop test on devices, container, other home installations and so on.

Technical Data

Connectors



Technical Data

Keys:

- < - lower
- > - higher
- K - Calibration
- ST - Start / Enter

Power Supply: 5VDC / 500mA

Dimension Case: ca. 400 x 250 x 100 (LxBxH)

Lowpressure Resolution: 1 mbar
 Lowpressure Range: 0..250 mbar
 Highpressure Resolution: 0,1 bar
 Highpressure Range: 0..20 bar

Operating condition

Operating conditions

Temperature: 0 .. +50 °C
 rel.Humidity: to 85% not condensend
 Protect level: IP51

Store conditions

Temperature: -20 ... +70 °C
 rel.Humidity: to 85% not condensend

Technische Änderungen vorbehalten